

# Installation manual

## VWS-Cube

DE Installationsanleitung

GB Installation manual

FR Guide d'installation

NL Installatievoorschrift

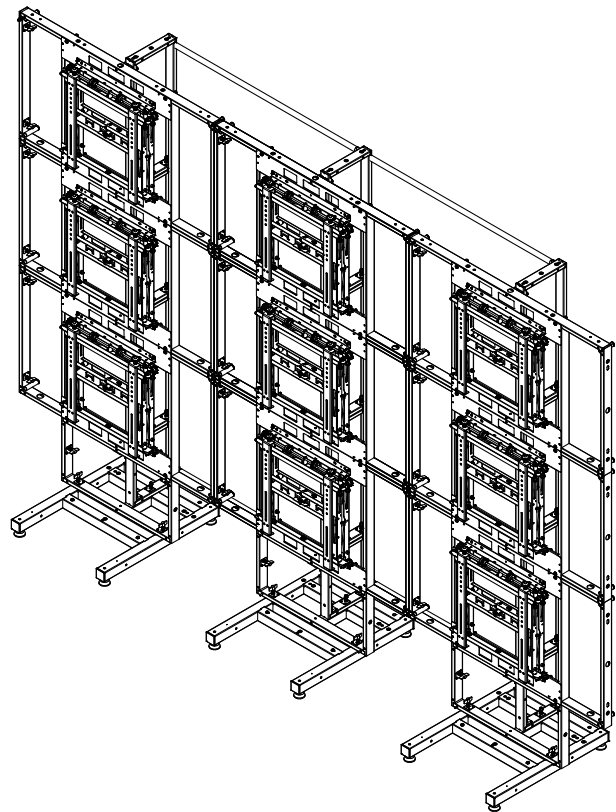
ES Guía de instalación

SE Installationsanvisning

TR Yükleme Rehberi

RU инструкция по установке

CN 安装指南



**DE**

### **Achtung!**

Technische Geräte stellen einen beträchtlichen Wert dar. Sie sollten daher bei der Installation vorsichtig mit den Komponenten umgehen und diese bei Bedarf schützen.

Auch sollte, falls nötig, der Installtionsbereich abgesichert werden. Herabfallende Teile können zu Verletzungen und Materialschäden führen.

Die im Lieferumfang enthaltenen Materialien sind unter Umständen nicht für die speziellen Gegebenheiten am Installationsort geeignet. Bitte prüfen Sie dies vorab und ersetzen Sie diese bei Bedarf durch geeignete Materialien.

Falls Sie Bezüglich der Installation des Produkts unsicher sind oder noch Fragen haben wenden Sie sich an uns oder anderes ausgebildetes Fachpersonal.

**GB**

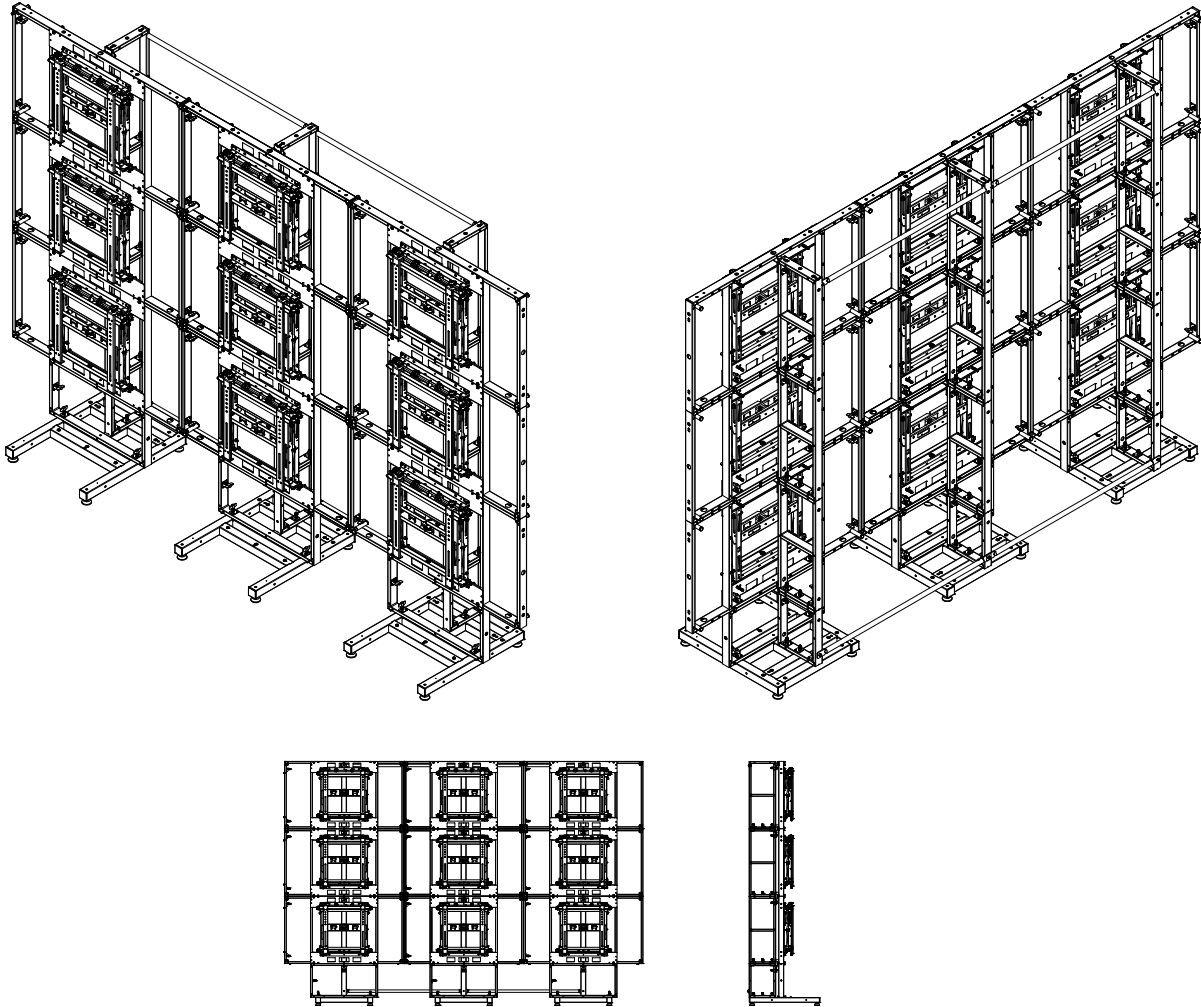
### **Caution!**

Technical devices are of considerable value. You should therefore handle the components carefully during installation and protect them if necessary.

If necessary, the installation area should also be secured. Falling parts can cause injuries and material damage.

The materials included in the scope of delivery may not be suitable for the special conditions at the installation site. Please check this in advance and replace it with suitable materials if necessary.

If you are unsure about the installation of the product or have any questions, please contact us or other trained specialists.




### Warning

#### For correct and safe use

This manual contains instructions and drawings for correct and safe use of the product. Non-compliance with descriptions and drawings and/or improper use of the product could cause the effects specified below. Please note the following hazard symbols before reading the remainder of this session, and follow the instructions thoroughly.

- ▲ **Danger:** any failure in observing these instructions could lead to death or serious injuries.
- ▲ **Warning:** any failure in observing these instructions could lead to failure or damage to objects.

Meaning of the symbol: the  symbol warns against doing something



#### Special precautions for safety.

##### ▲ Danger



- Follow the instructions reported in this manual about the installation method. Any failure in observing these instructions could lead to damage or injuries due to MONITOR set or other objects falling down.
  - Please use qualified personnel for installation
- Make sure that the wall where the MONITOR set has to be installed can bear the weight of the MONITOR set itself.
- Do not apply any other weight to the MONITOR set or the bracket. This could make the MONITOR set fall down and cause injuries or damage to objects.
- Do not change or alter the components for installation. This make the MONITOR set fall down and cause injuries or damage to objects.

##### ▲ Warning

#### Carry out the installation in places without humidity or dust.

-  - Do not install the MONITOR screen in places with a high degree of humidity and dust. This could bring about fire or electric shocks.
-  - Do not install the MONITOR screen in places where it could get in contact with fumes or vapours. This could bring about fire or electric shocks.

#### Carry out the installation in a well vented area.

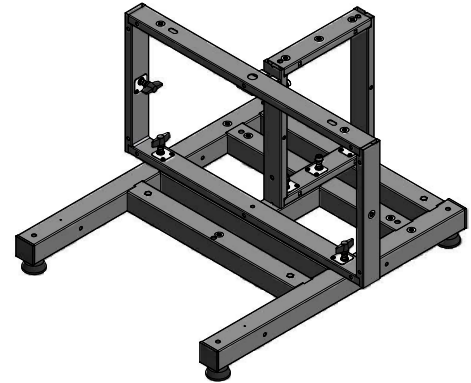
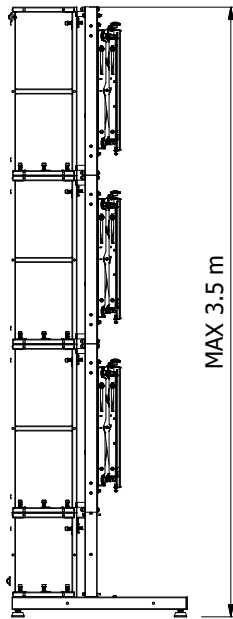
-  - Do not obstruct the holes for air passage on the MONITOR screen. This could bring about fire.
-  - Do not place the MONITOR set in a poorly vented place.

**Please take careful note of the following:** use qualified personnel for the installation.

The producer will not bear responsibility for any improper installation or any accident, damage or injury that may come arise from incorrect installation.

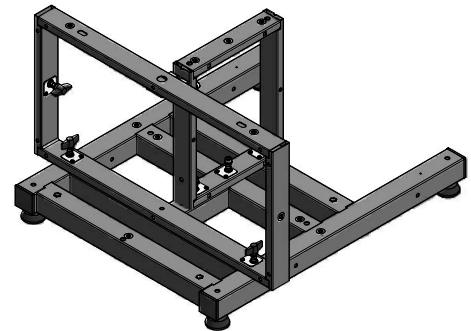
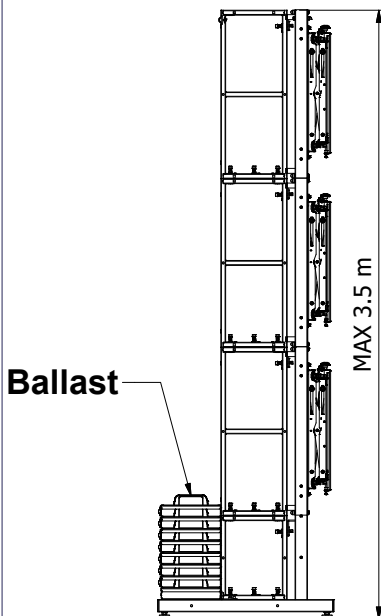
## 2a

### BASE POSITION FRONT MOUNTING


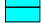
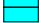
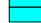
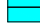
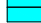


## 2b

### BASE POSITION BACK MOUNTING



For the stability of the stucture, the use of ballast is obligatory (see table).

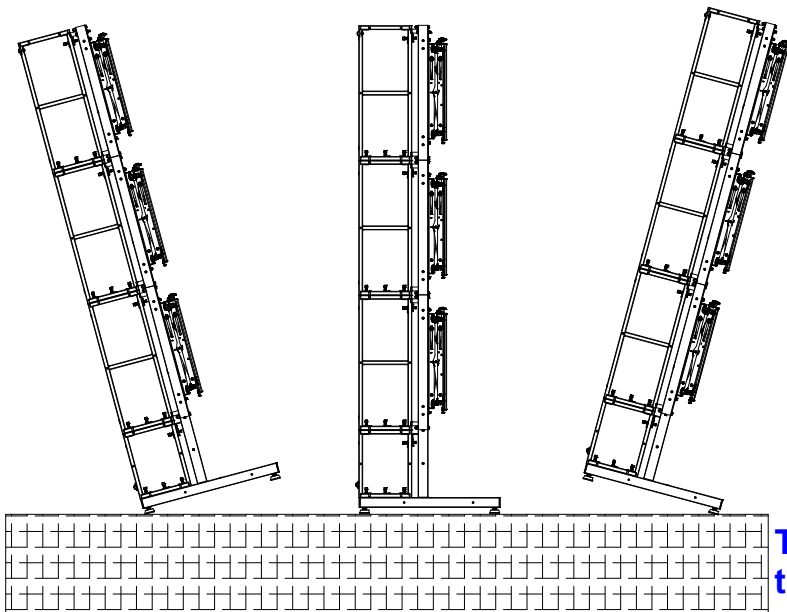
		BALLAST TABLE					
							
Height (up to) [m]		0.6	1.5	2.15	2.85	3.5	UPPER TO 4.2 [m]
Ballast [kg]		0	40	100	140	220	Contact designer for specific configuration

### !!! WARNING - DANGER !!!

The rules described above are valid for indoor environments with no wind.  
If the assembly is done in areas where there may be wind (eg, air currents, large ventilation) is necessary to increase the counterweight in an appropriate and / or anchor the back part of the structure to a solid wall.

### 3

## STABILITY OF THE STRUCTURE



The structure is verified to ensure the balance from 0 ° to 8 ° inclination.

**⚠ !!! WARNING - DANGER !!! ⚠**

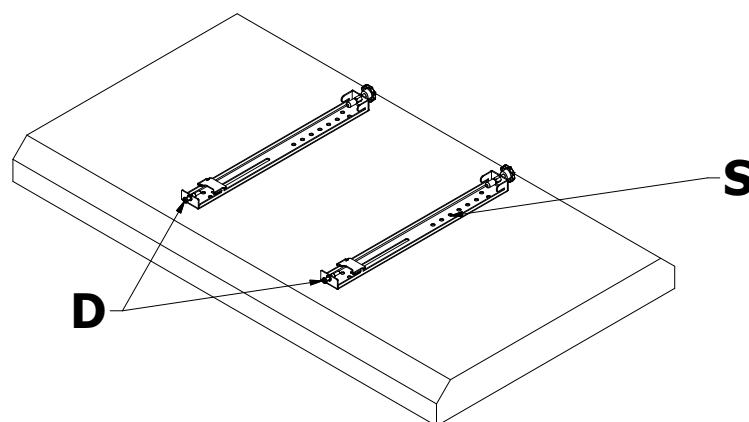
Where necessary for reasons of safety, secure the top of the structure to a solid wall.

The verification of stability must consider the following external factors:

- 1 - Strength of the floor
- 2 - Wind sudden and severe
- 3 - State of danger arising from contact with people and / or objects. (eg installations in passageways, emergency exits)

### 4

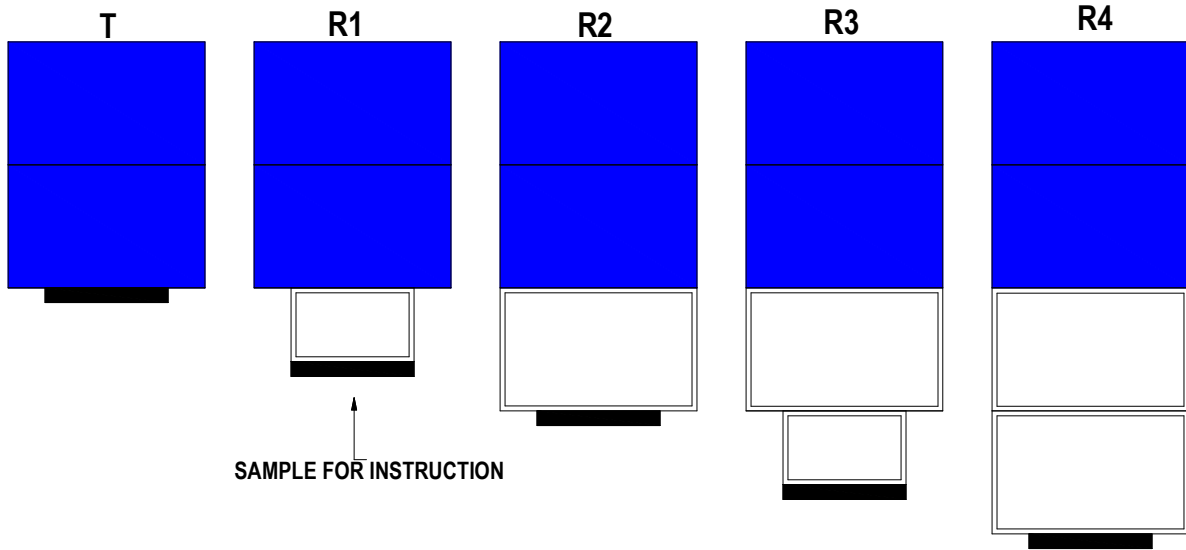
## MONITOR HOOK MOUNTING



**4.1 Mount the hooks (S) on the back of monitor, with the supplied screws**

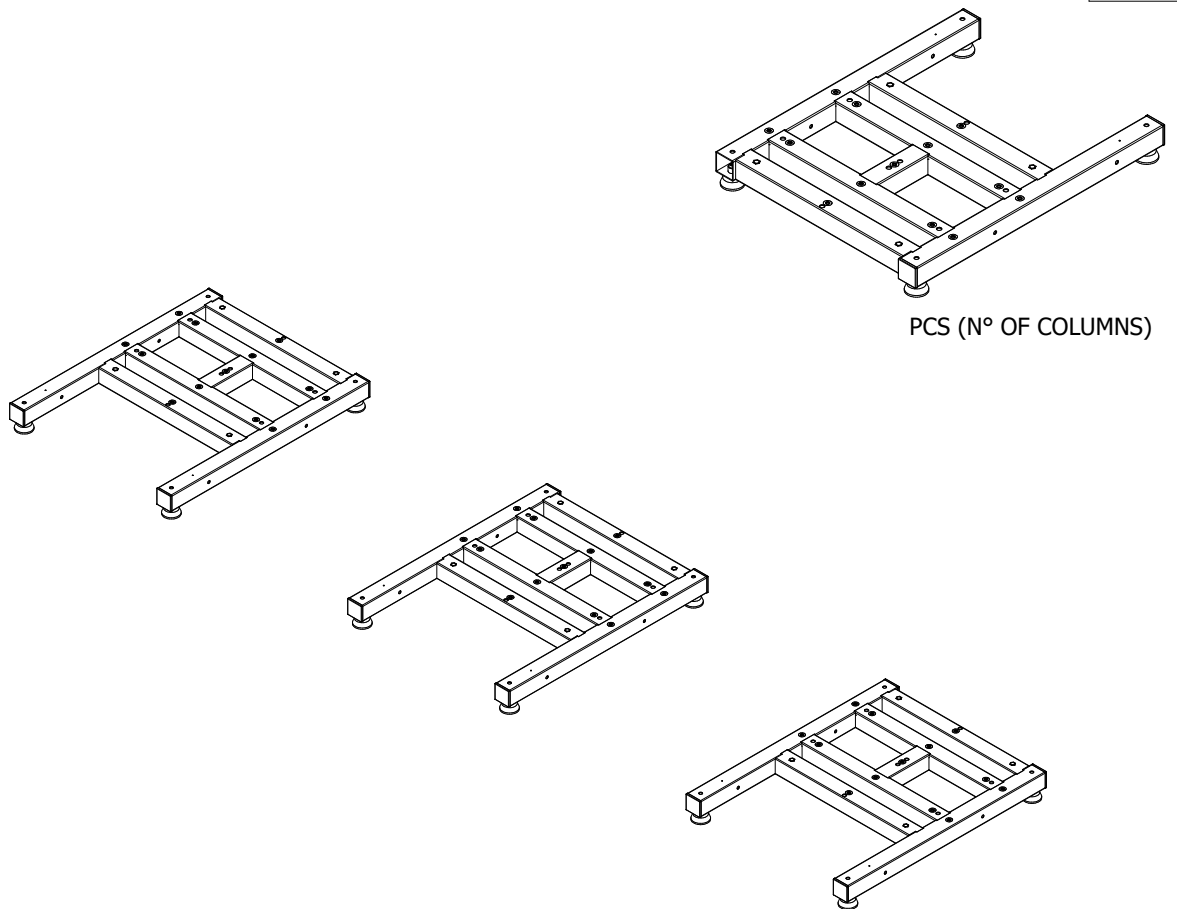
**4.2 Loose completely the safty screws (D)**

# 5 CONFIGURATION



# 6 SEQUENCE OF MOUNTING

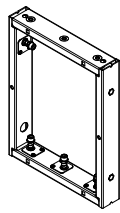
6a



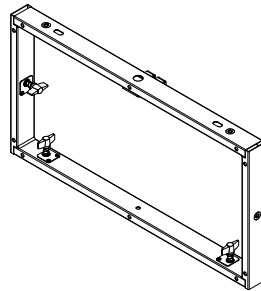
# INSTALLATION AND USE INSTRUCTION

## Floor structure videowall

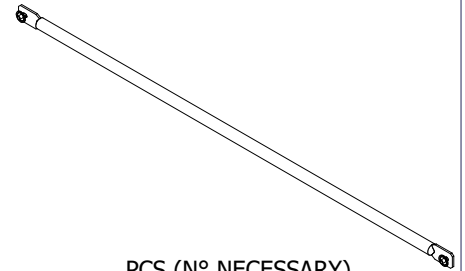
**6b**



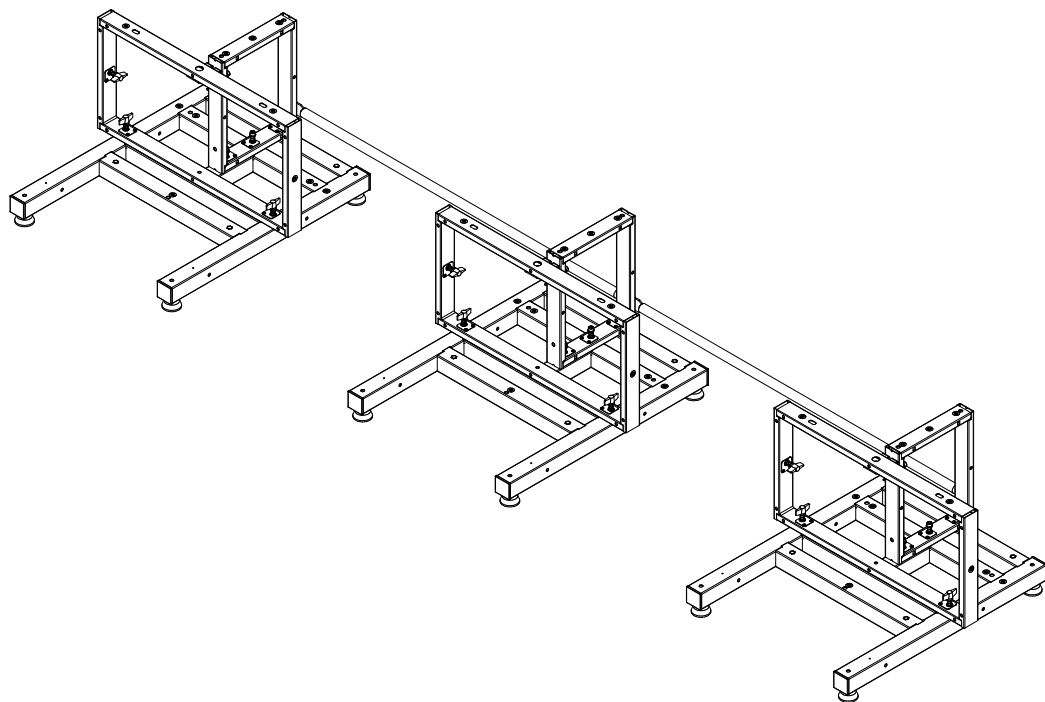
PCS (N° OF COLUMNS)



PCS (N° OF COLUMNS)



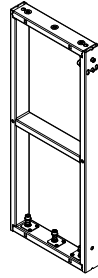
PCS (N° NECESSARY)



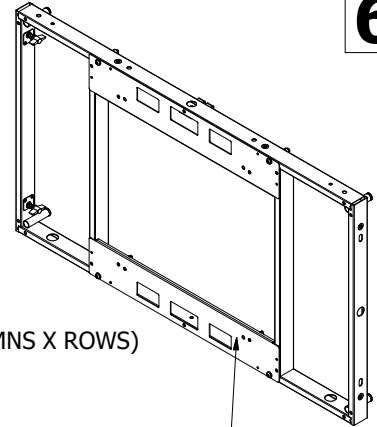
# INSTALLATION AND USE INSTRUCTION

## Floor structure videowall

**6c**

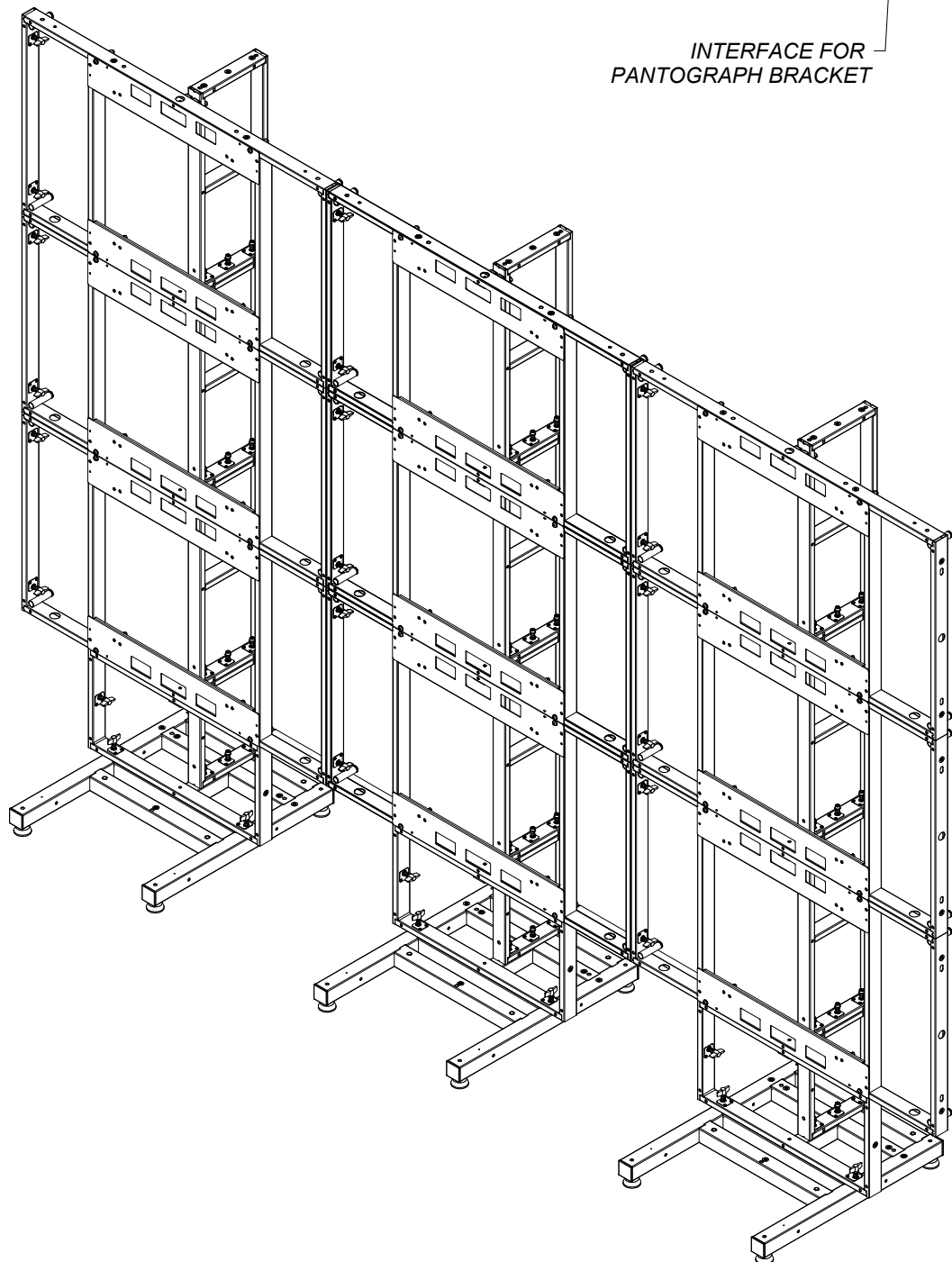


PCS (N° COLUMNS X ROWS)



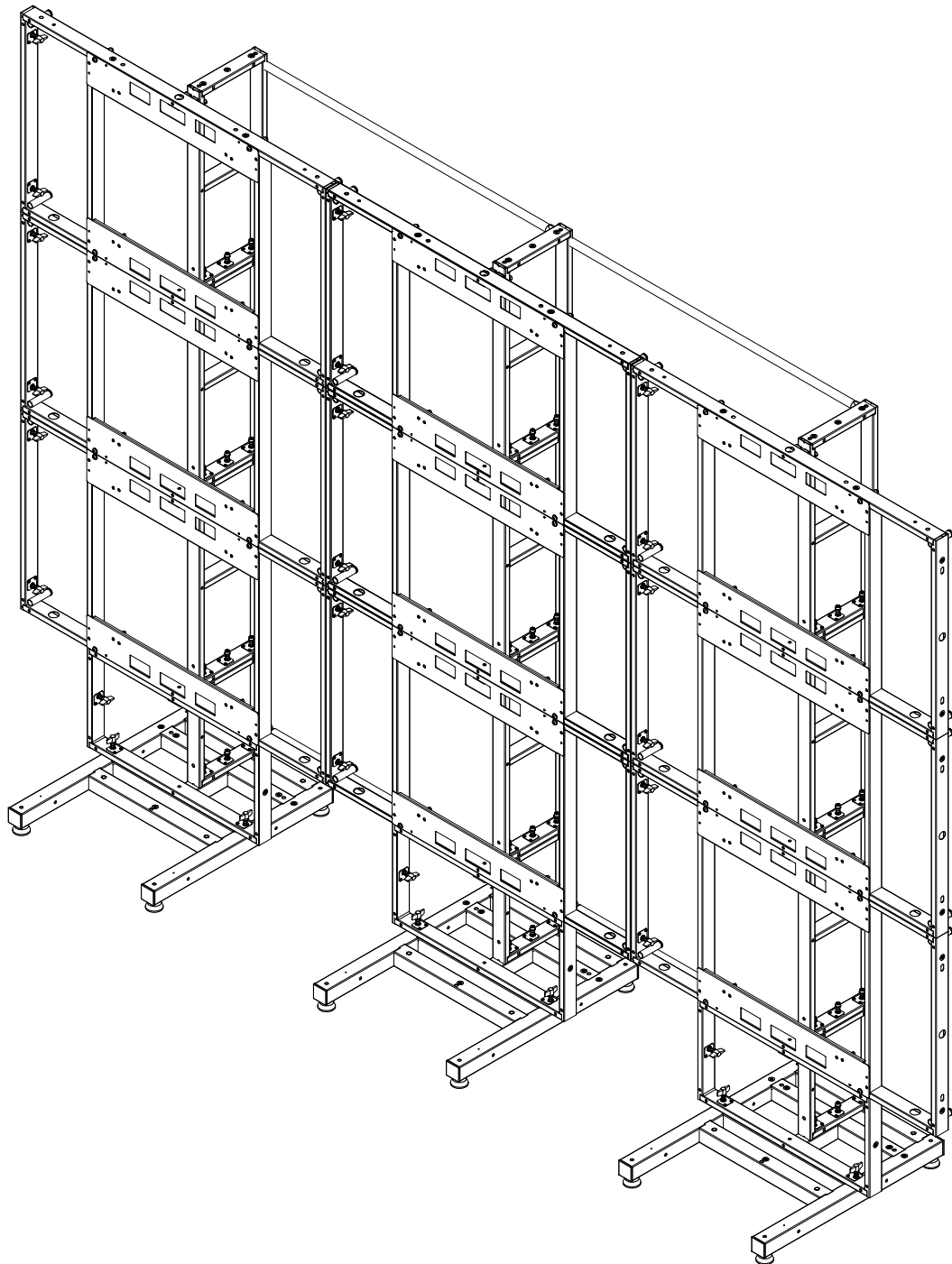
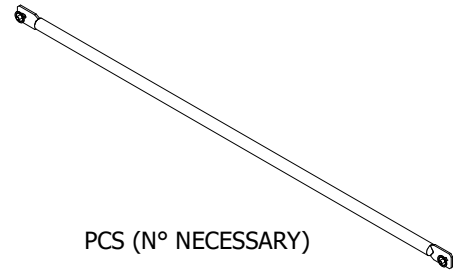
PCS (N° COLUMNS X ROWS)

INTERFACE FOR  
PANTOGRAPH BRACKET

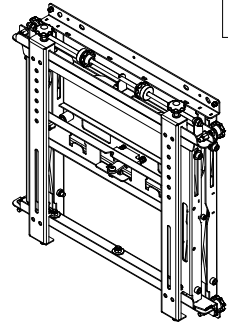




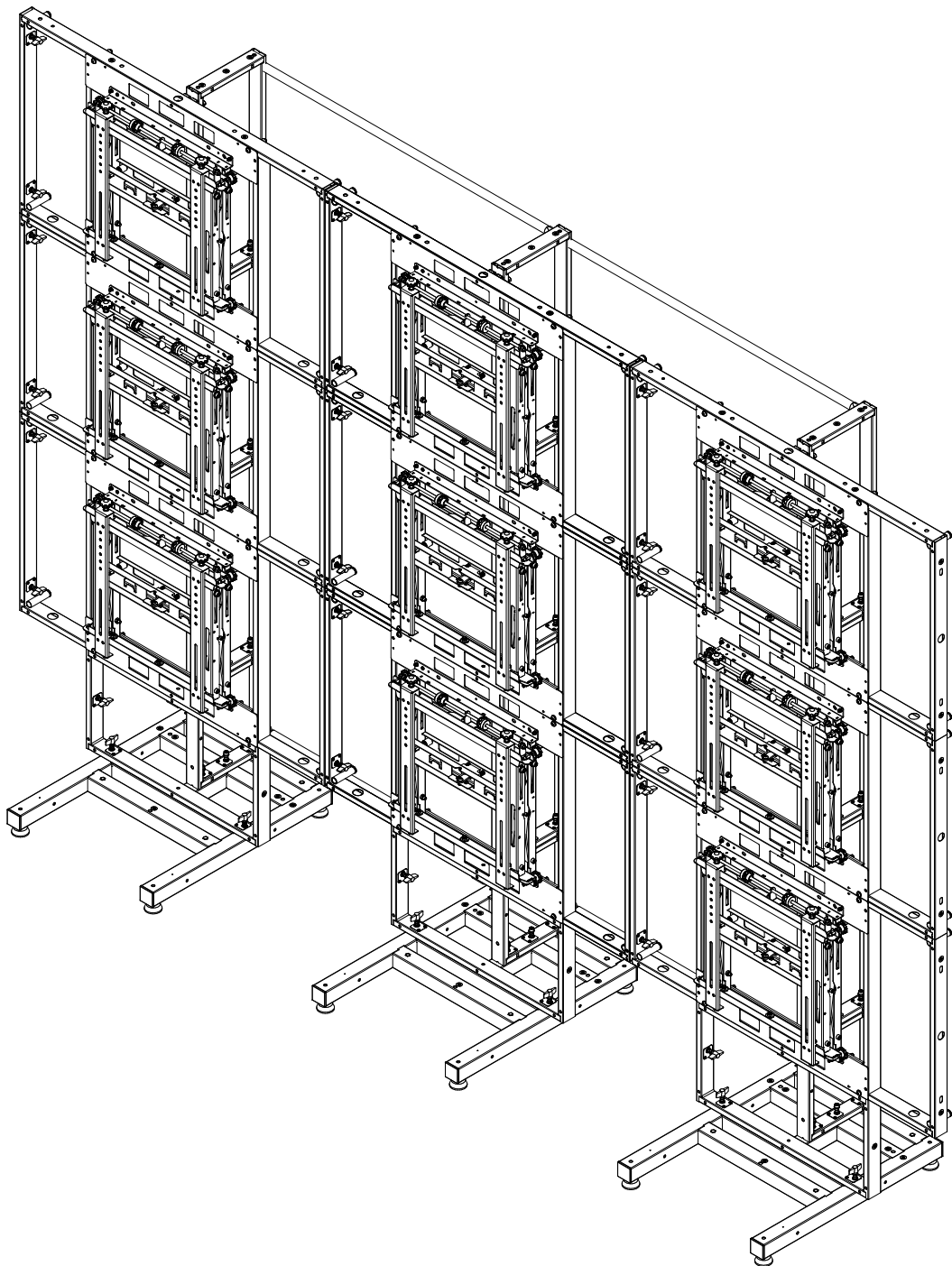
**6d**



6f

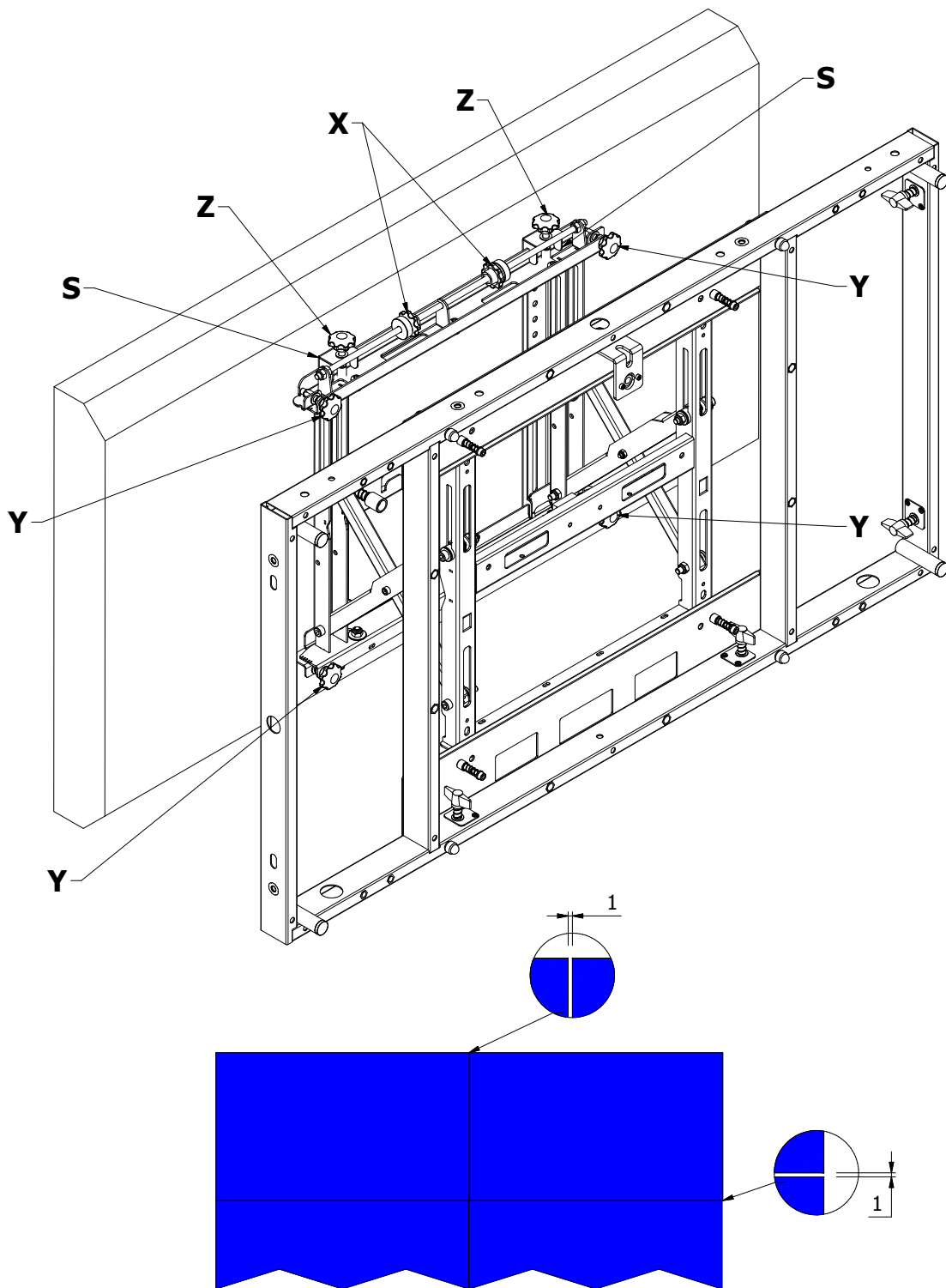


PCS (N° COLUMNS X ROWS)



# 7

## ADJUSTMENT



**7.1** Hook the monitors beginning from the bottom. Be careful to keep the knobs (X) between the brackets (S)

**7.2** Use the (X) and (Z) knob to ensure that distance is at least 1mm between them.

**7.3** Use the (Y) axis regulation knob to ensure that every corner is aligned with the near monitor.

